

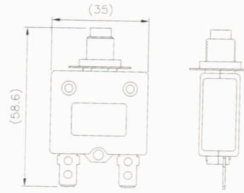


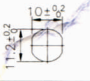
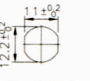
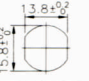
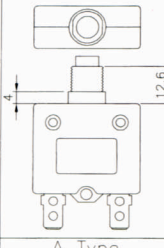
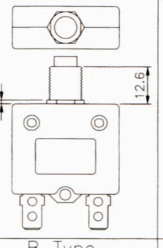
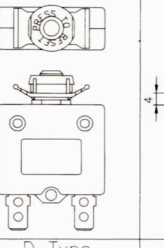
宏钰电子（嘉善）有限公司  
HONGYU ELECTRICAL (JIASHAN) CO.,LTD.

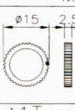
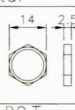

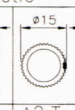
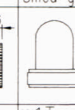
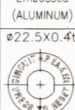
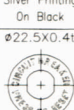
Add:No,69 Jinxiu Road East City Development Zone,  
Jiashan,Zhejiang,China  
Tel:86 573 4062088,4062188  
Fax:86 573 4062898  
http://www.hongyuzj.com  
E-mail:henry@hongyuzj.com


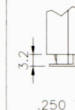

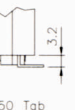
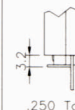

# BREAKER

88-XX-P1B13-P00



Panel Hole	M11X1.0 	M12X1.0 	Panel Cutout Thickness: 0.8~2.5mm 
Bushing Type	Metal		Plastic
			
	A Type	B Type	C Type
	Panel Cutout Thickness: 0.8~2.5mm		

Mounting Cap	Metal		Plastic		Silica gel	Nameplate Type	Embossed (ALUMINUM) φ22.5X0.4t	Silver Printing On Black φ22.5X0.4t
								
	A1 Type	B2 Type	P1 Type	A2 Type	W1 Type			

Terminal Type						
	1 Type: Straight	2 Type: 90° Bend	3 Type: 90° Bend Backward	4 Type: Load Pin	5 Type: Line Pin	F Type:

### ORDERING GUIDE:

Series	Rating	Bushing	Button	Terminal	Voltage	Mounting Hardware	Nameplate
98	-30	-A1	B	1	3-	A1	B
03-	3Amp	P1=P1 Type	B=Black	1=1 Type	1=125Vac	O=No	O=None
04-	4Amp	P2=P2 Type	W=White	2=2 Type	2=250Vac	P1=P1 Type	B=Silver printing on black
05-	5Amp	S=Snap in	R=Red	3=2 Type	3=125/250Vac	P2=P2 Type	W=Black printing on white
		A1=A1 Type		4=4 Type	50Vdc 50/60Hz	W1=W1 Type	
35-	35Amp	B1=A1 Type		5=5 Type		A1=A1 Type	
40-	40Amp	A2=A1 Type		F=F Type		B1=B1 Type	
45-	45Amp					A2=A2 Type	
50-	50Amp					B2=B2 Type	