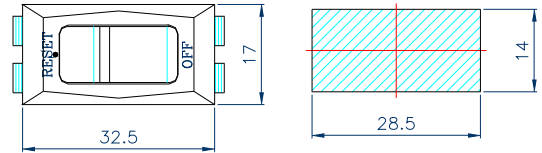
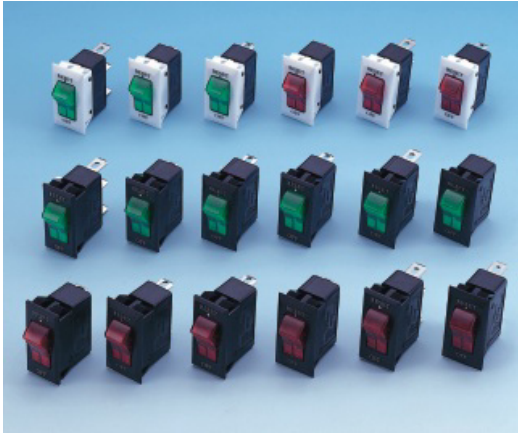




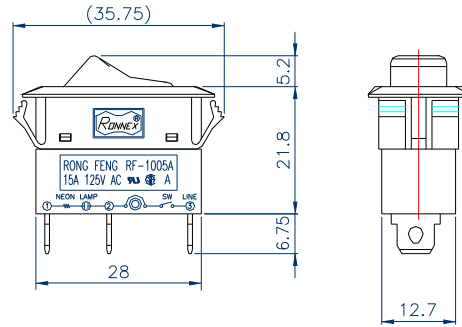
宏钰电子（嘉善）有限公司
HONGYU ELECTRICAL (JIASHAN) CO.,LTD.

Add:No,69 Jinxiu Road East City Development Zone,
Jiashan,Zhejiang,China
Tel:86 573 4062088,4062188
Fax:86 573 4062898
http://www.hongyuzj.com
E-mail:henry@hongyuzj.com

ROCKER SWITCH



PANEL CUT OUT



CIRCUIT BREAKER TRIPTIME VS AMPERES

Model Number	Current Rating	Overload Percentage	Trip Time (in seconds) VS Amperes at+25
RF-1005A	15A	100%	Number Trip
		150%	Trip in 1 hours
		200%	3~30
		300%	1~10
		400%	0.4~2.5
		600%	0.2~0.75
		800%	0.10~0.4
		1000%	0.07~0.3

RF-1005A

STANDARD:UL 1077/IEC 60934
RATING :15A250V AC
APPROVALS :UL/CSA

RF-1005A Oder Numbers

