



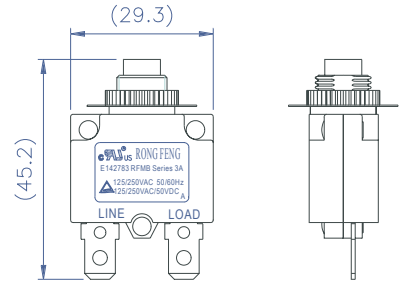
宏钰电子（嘉善）有限公司
HONGYU ELECTRICAL (JIASHAN) CO.,LTD.

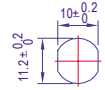
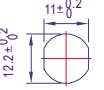
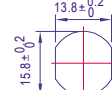
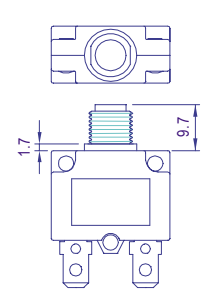
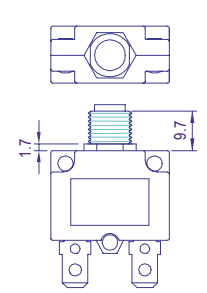
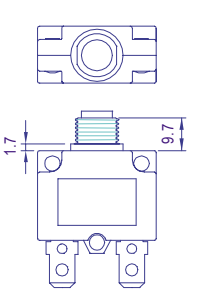
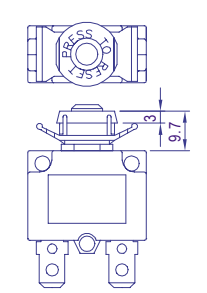
Add:No,69 Jinxiu Road East City Development Zone,
Jiashan,Zhejiang,China
Tel:86 573 4062088,4062188
Fax:86 573 4062898
http://www.hongyuzj.com
E-mail:henry@hongyuzj.com

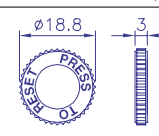
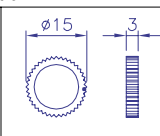




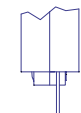
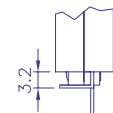
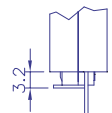
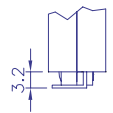

BREAKER

RF-MB Series
Rating:3~15A 125V/250V AC
Approvals:UL/cUL
Rating:3~20A 125V/250V AC/
50VDC
Approvals: TÜV



Panel Hole	M11X1.0 	M12X1.0 	Panel Cutout Thickness: 0.8~2.5mm 	
Bushing Type	Plastic			
				
	C Type	D Type	H Type	E Type

Mounting Cap	Plastic		Nameplate Type	Embossed (ALUMINUM)	Silver Printing On Black
					
	3 Type	4 Type		ϕ22.5X0.4t	ϕ22.5X0.4t

Terminal Type					
	.250 Tab	.250 Tab	.250 Tab	.250 Tab	.250 Tab
	A Type : Straight	B Type : Line Pin	C Type : Load Pin	D Type : 90° Bend	E Type : 90° Bend Backward

