



宏钰电子（嘉善）有限公司
HONGYU ELECTRICAL (JIASHAN) CO.,LTD.

Add:No,69 Jinxiu Road East City Development Zone,
Jiashan,Zhejiang,China
Tel:86 573 4062088,4062188
Fax:86 573 4062898
http://www.hongyuzj.com
E-mail:henry@hongyuzj.com

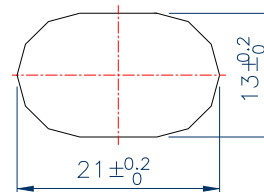
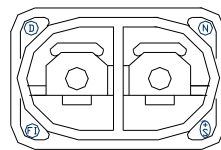
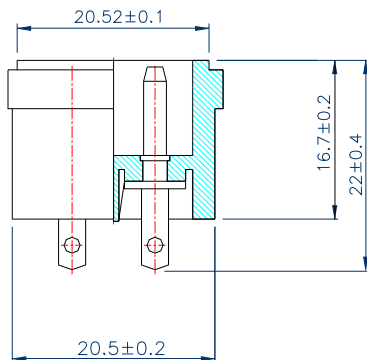
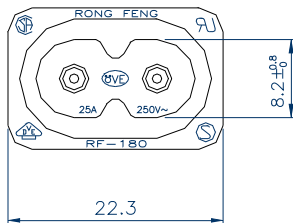
AC SOCKET



RF-180-A

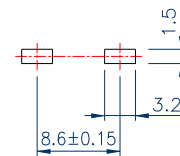
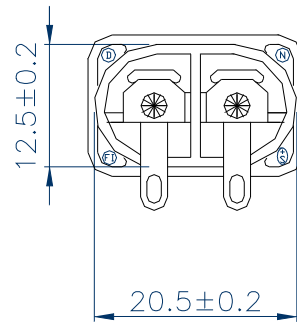
STANDARD:IEC 320 C8
RATING :2.5A/250V AC
APPROVALS:UL/CSA/VDE/ÖVE/SEV/
DEMKO/NEMKO/SEMKO/FIMKO

RF-180-A



PANEL CUT-OUT

RF-180-AA



P.C.B. LAYOUT