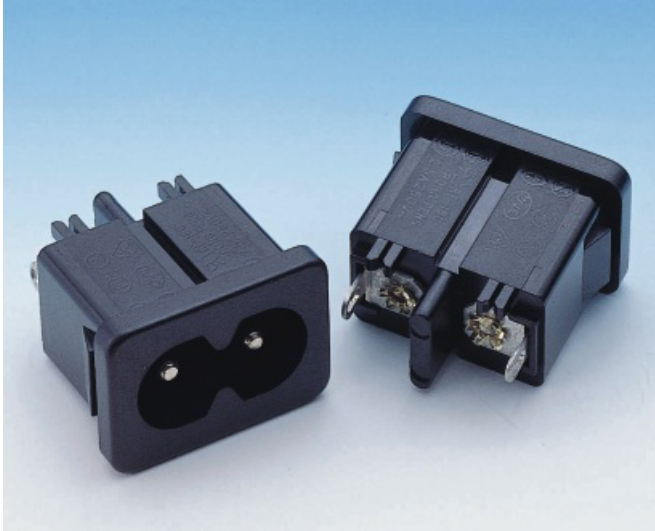




宏钰电子（嘉善）有限公司  
HONGYU ELECTRICAL (JIASHAN) CO.,LTD.

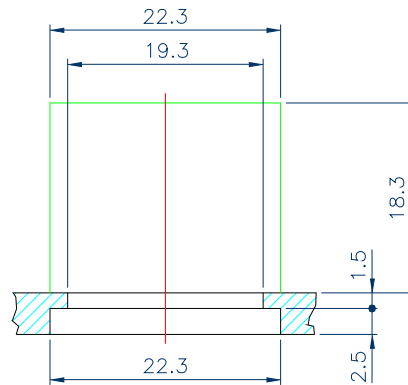
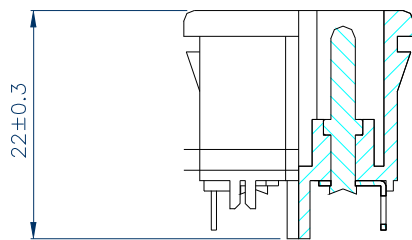
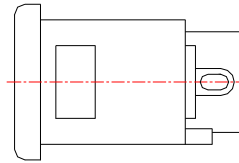
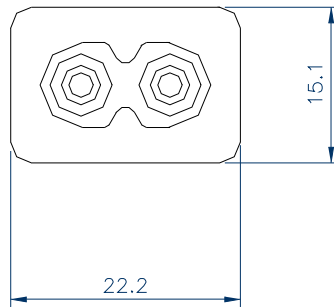
Add:No,69 Jinxiu Road East City Development Zone,  
Jiashan,Zhejiang,China  
Tel:86 573 4062088,4062188  
Fax:86 573 4062898  
http://www.hongyuzj.com  
E-mail:henry@hongyuzj.com

## AC SOCKET



## RF-180-HS

STANDARD:IEC 320 C8  
RATING:2.5A/250V AC  
APPROVALS:UL/CSA/VDE/ÖVE/SEV/  
DEMKO/NEMKO/SEMKO/FIMKO



PANEL CUTOUT