



宏钰电子（嘉善）有限公司  
HONGYU ELECTRICAL (JIASHAN) CO.,LTD.

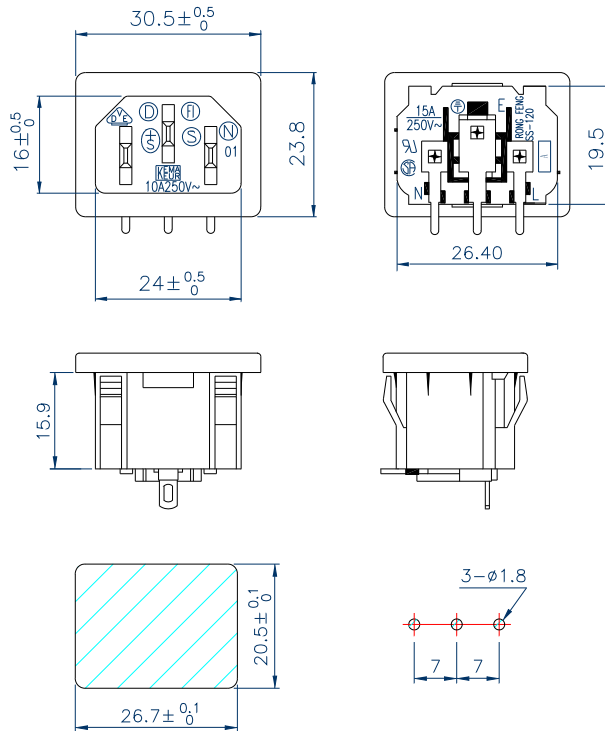
Add:No,69 Jinxiu Road East City Development Zone,  
Jiashan,Zhejiang,China  
Tel:86 573 4062088,4062188  
Fax:86 573 4062898  
<http://www.hongyuzj.com>  
E-mail:henry@hongyuzj.com

## AC SOCKET



## SS-120-C-PCB-A

STANDARD:IEC 320-1 C14  
RATING:15A/250V AC  
APPROVALS:UL/CSA  
RATING:10A250V ~  
APPROVALS:VDE/SEV/FIMKO/DEMKO/KEMA  
/NEMKO/ SEMKO



PANEL CUTOUT  
THICKNESS 0.8mm~1.5mm

P.C.B LAYOUT