



宏钰电子（嘉善）有限公司  
HONGYU ELECTRICAL (JIASHAN) CO.,LTD.

Add:No,69 Jinxiu Road East City Development Zone,  
Jiashan,Zhejiang,China  
Tel:86 573 4062088,4062188  
Fax:86 573 4062898  
http://www.hongyuzj.com  
E-mail:henry@hongyuzj.com

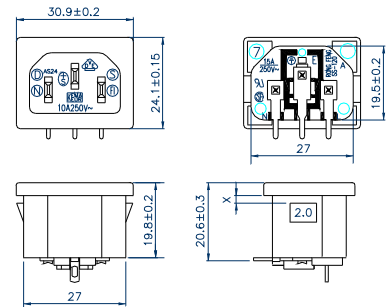
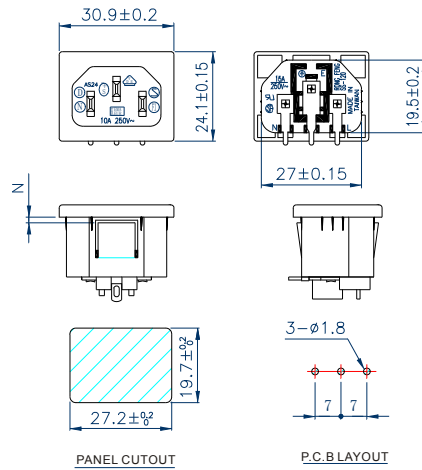
# AC SOCKET



## SS-120-PCB

STANDARD:IEC 320 C14  
RATING:15A/250V AC  
APPROVALS:UL/CSA  
RATING:10A250V ~  
APPROVALS:VDE/KEMA/SEV/DEMKO/NEMKO/  
SEMKO/FIMKO/CCEE

SS-120-PCB-	N
	0.8 $\pm$ 0.3 0
	1.0 $\pm$ 0.3 0
	1.2 $\pm$ 0.3 0
	1.5 $\pm$ 0.3 0
	2.0 $\pm$ 0.3 0
3.0 $\pm$ 0.3 0	



SS-120-PCB-	X	
	0.8	
	1.0	A
	1.5	
	2.0	

